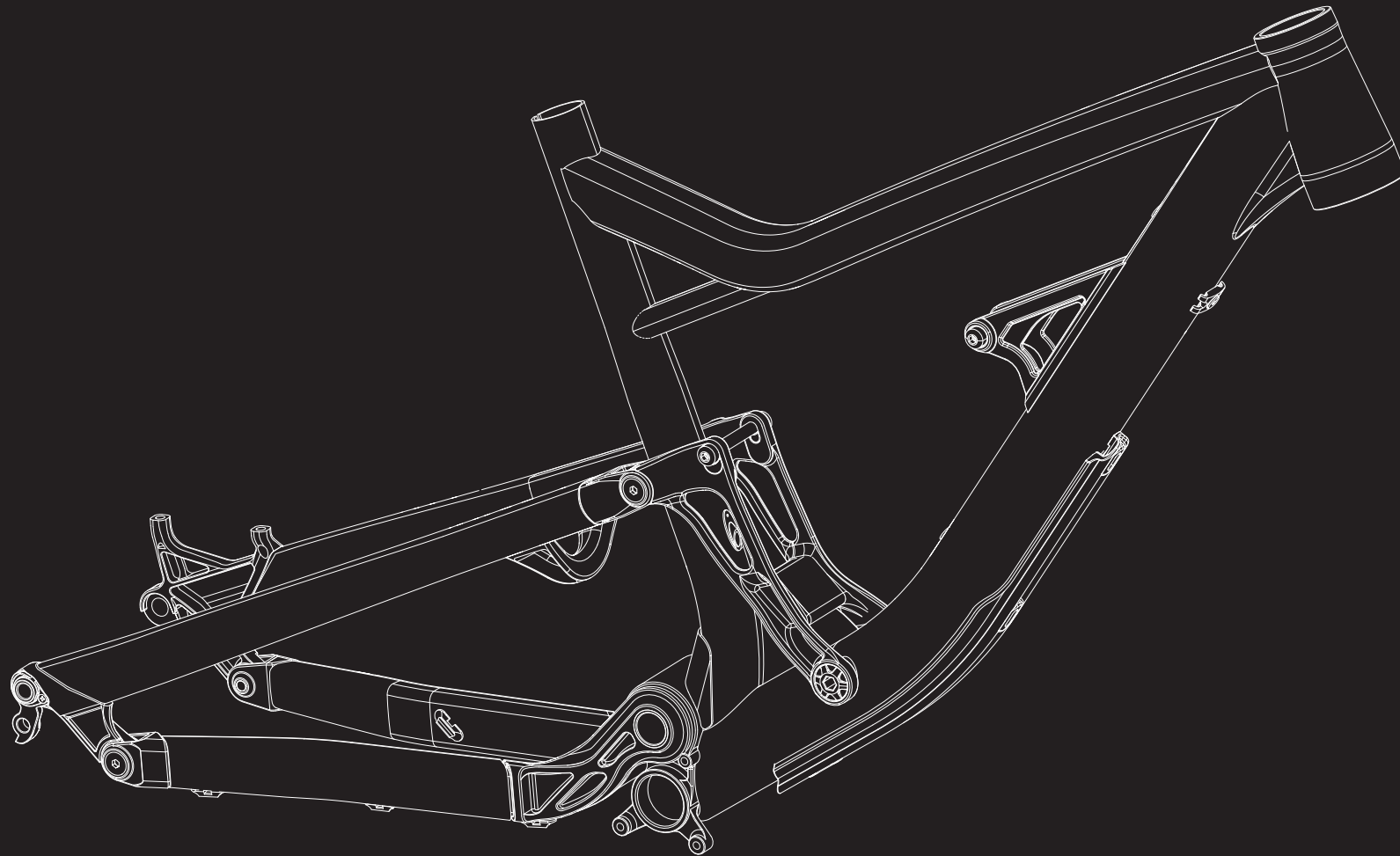


ROSE



ANY QUESTIONS?

technik@rosebikes.com

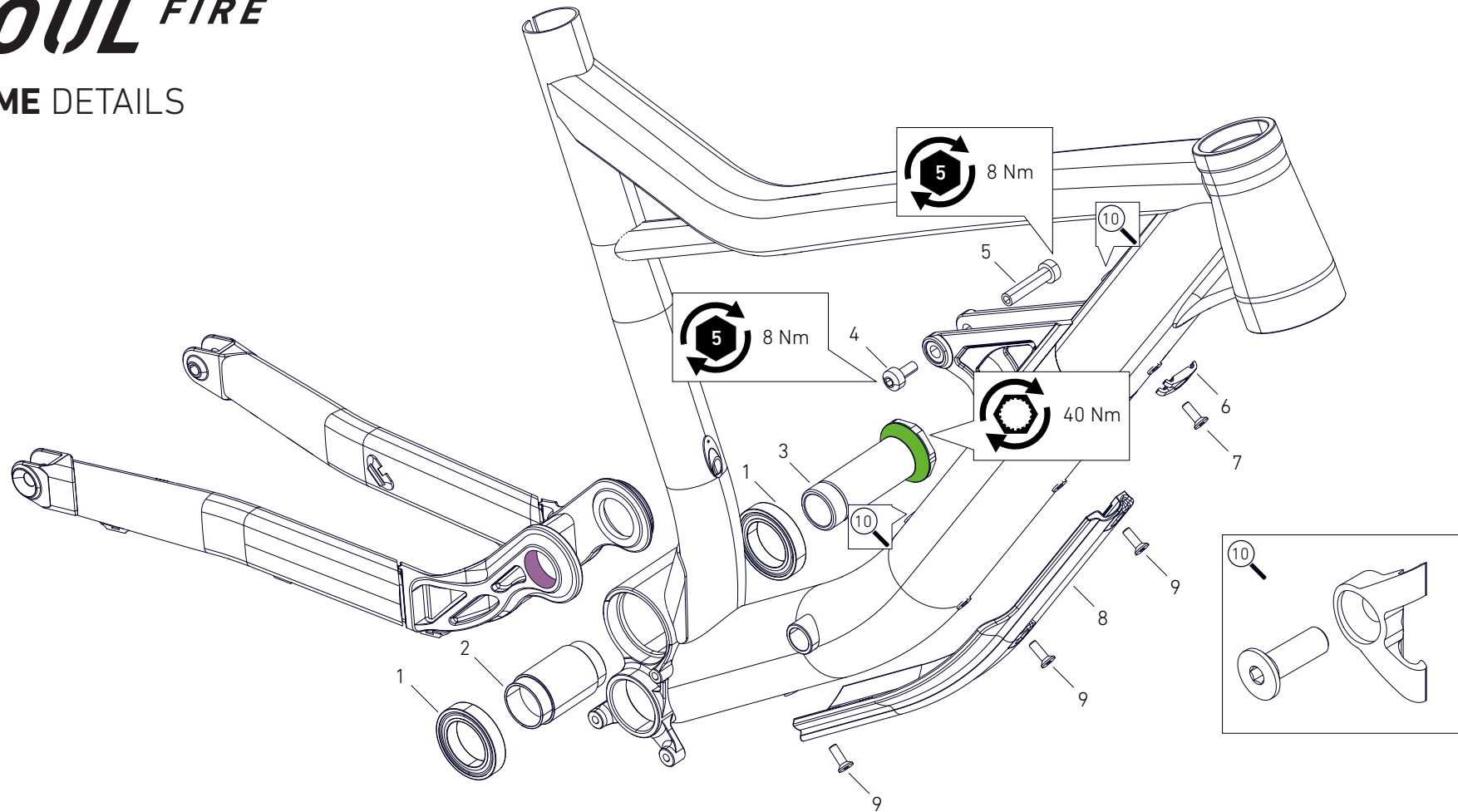
ROSE Bikes GmbH
Schersweide 4
46395 Bocholt, Germany

SOUL FIRE

FRAME DETAILS
MODELYEAR 2016 - 2020

SOUL FIRE

FRAME DETAILS



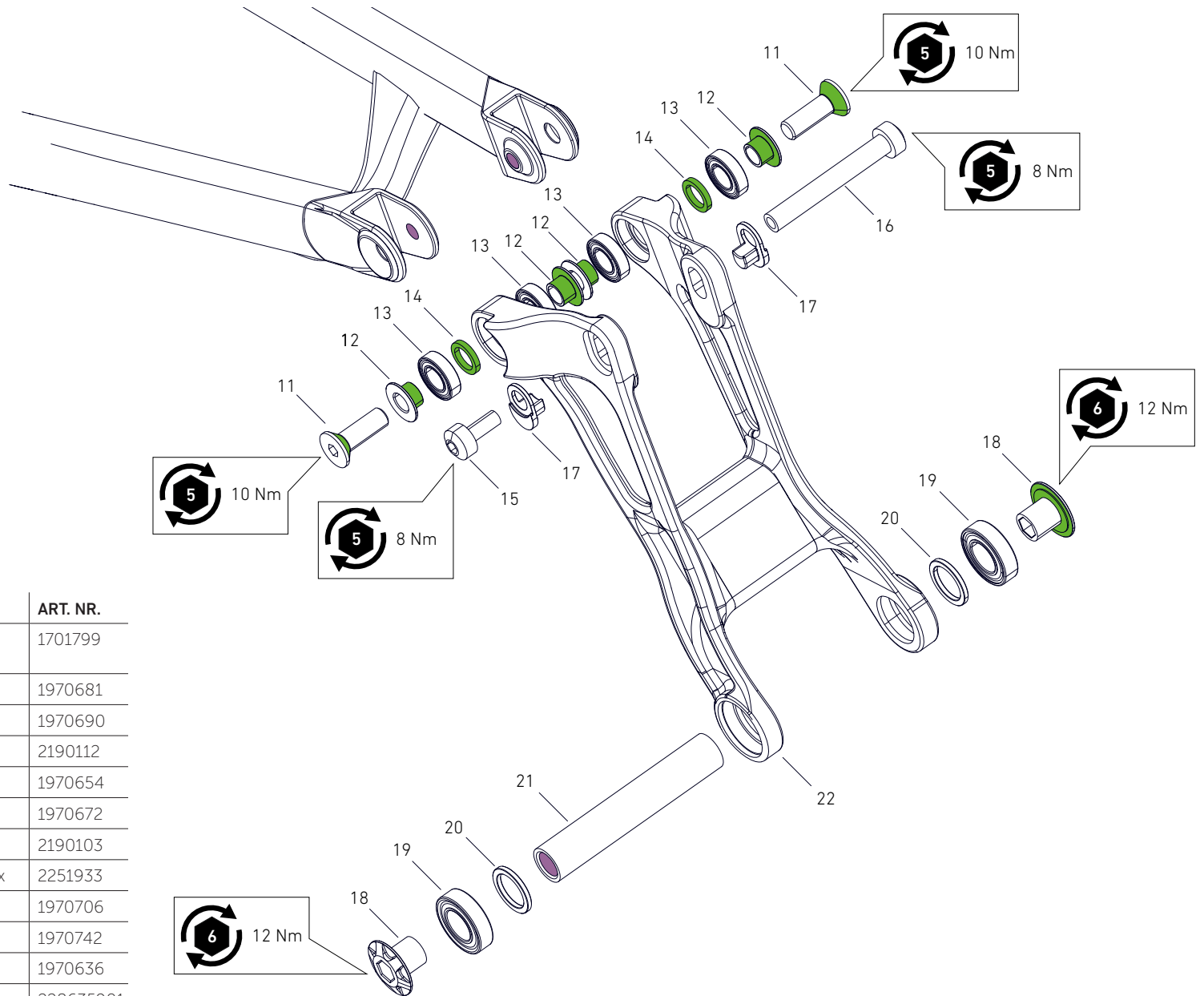
MAIN FRAME DETAILS

POS.	DESCRIPTION	SPECIFICATIONS	ART. NR.
1	main pivot bearing	61906-2RS, 30 x 47 x 9 mm	2190079
2	sleeve main pivot	Ø30 x 73 mm	2190088
3	main pivot bolt	torque: 40 Nm tools: 36 mm wrench or Shimano BB cartridge tool (e.g. TL-UN66)	2283843
4	shock bolt screw	torque: 8 Nm, tool: 5 mm hex	1970654
5	shock bolt frame	Ø8 x 35.5 mm, torque: 8 Nm, tool: 5 mm hex	1970663
6	cable guide		1886683
7	cable guide screw	M5 x 16 mm	

POS.	DESCRIPTION	SPECIFICATIONS	ART. NR.
8	down tube protector		1995316
9	down tube protector screw	M5 x 20 mm (3 pieces)	
10	cable guide down tube	incl. M5 x 10 mm screw	1913163
	GREASE	DYNAMIC GALLI BEARING 100 g	49217800
		DYNAMIC GALLI BEARING 400 g	49217900
	THREADLOCKER	mid strength, for example Art. Nr. 1322431	

SOUL FIRE

FRAME DETAILS

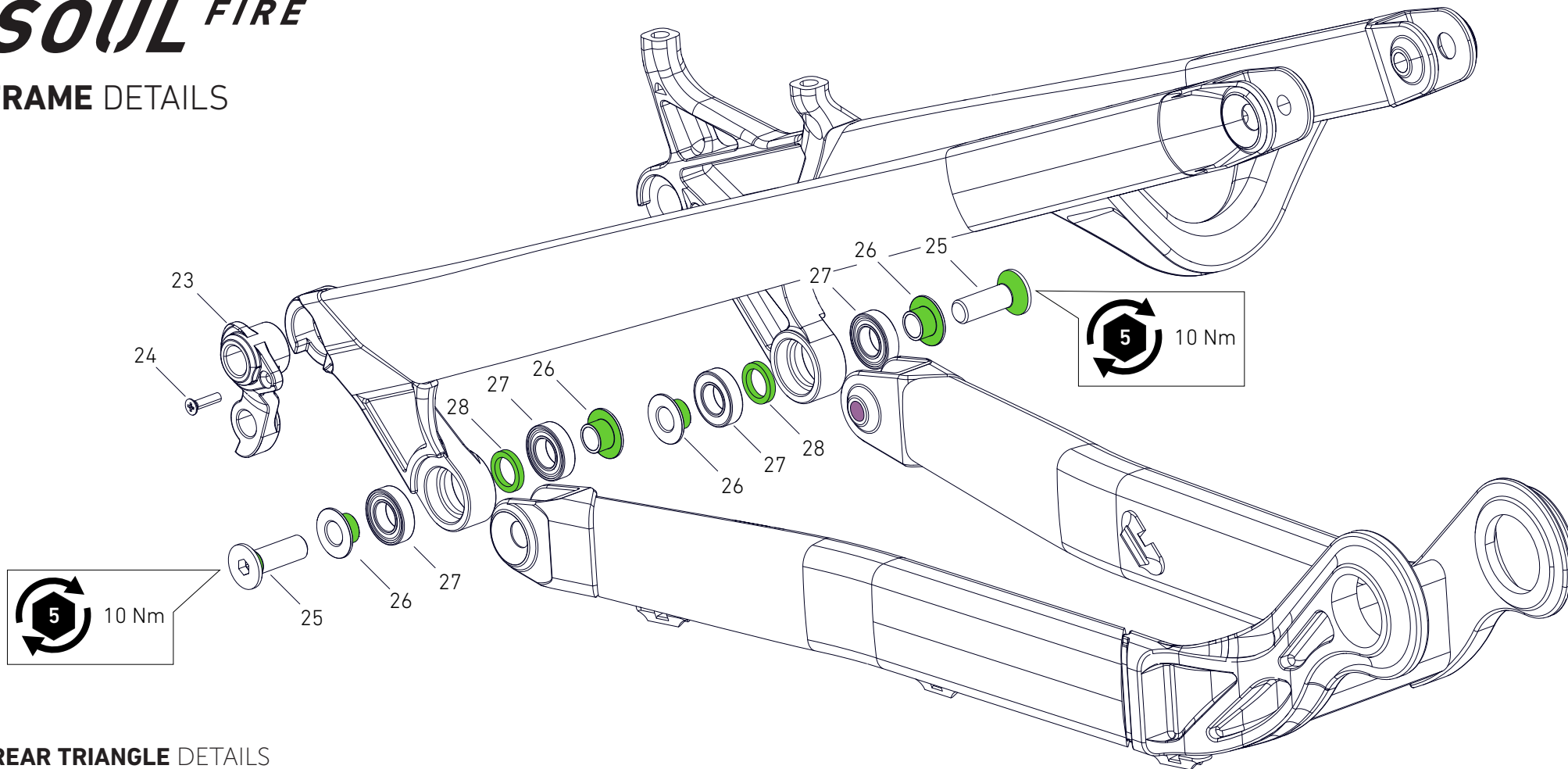


ROCKER DETAILS

POS.	DESCRIPTION	SPECIFICATIONS	ART. NR.
11	seatstay pivot bolt	M8 x P1.25 x 25L, ISO 10642 torque 10 Nm, tool 5 mm hex	1701799
12	bearing spacer	8 x 10 x 6.9 mm	1970681
13	bearing	61800-2RS, 10 x 19 x 5 mm	1970690
14	washer	Ø10 x 14 x 2 mm	2190112
15	shock bolt screw	torque: 8 Nm, tool: 5 mm hex	1970654
16	shock bolt rocker	Ø8 x 57.5 mm	1970672
17	flip chip		2190103
18	screw rocker pivot	torque: 12 Nm, tool: 6 mm hex	2251933
19	bearing	61802-2RS, 15 x 24 x 5 mm	1970706
20	washer	Ø15 x 20 x 2 mm	1970742
21	threaded sleeve		1970636
22	rocker		228635901
	GREASE	DYNAMIC GALLI BEARING 100 g	49217800
		DYNAMIC GALLI BEARING 400 g	49217900
	THREADLOCKER	mid strength, for example Art. Nr. 1322431	

SOUL FIRE

FRAME DETAILS

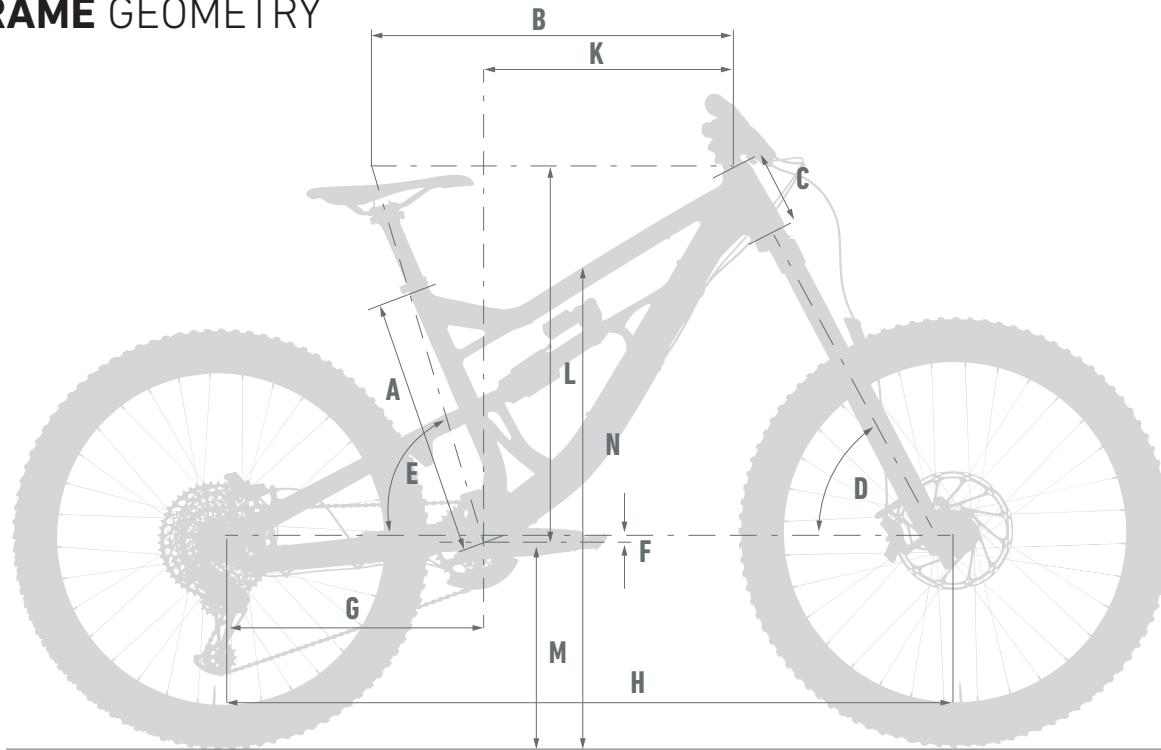


REAR TRIANGLE DETAILS

POS.	DESCRIPTION	SPECIFICATIONS	ART. NR.
23	derailleur hanger	Rose No. 37, black	2251941
		Rose No. 37, blue	2146670
24	derailleur hanger screw	included in pos. 20	
25	horst link screw	M8 x P1.25 x 25L, ISO10642 torque 10 Nm, tool 5 mm hex	1701799
26	bearing spacer	8 x 10 x 6.9 mm	1970681
27	bearing	61800-2RS, 10 x 19 x 5 mm	1970690
28	washer	10 x 14 x 2 mm	2190112
	GREASE	DYNAMIC GALLI BEARING 100 g	49217800
		DYNAMIC GALLI BEARING 400 g	49217900
	THREADLOCKER	mid strength, for example Art. Nr. 1322431	

SOUL FIRE

FRAME GEOMETRY



FRAME INTERFACES

BOTTOM BRACKET	BSA 73 mm
HEADSET	ZS 44 / 56
REAR WHEEL AXLE	length: 180 mm, M12 x 1.75, thread length: 20 mm e.g. DT Swiss RWS Boost Plug In axle, Art. Nr. 2269801
SHOCK LENGTH X STROKE	222 x 70 mm
SHOCK HARDWARE	Ø8 x 41.55 mm / Ø8 x 22.2 mm
REAR BRAKE MOUNT	PM 180
MAX. Ø REAR BRAKE DISC	203 mm
Ø SEAT TUBE	31.6 mm, internal dropper compatible
Ø SEAT POST CLAMP	34.9 mm, e.g. ROSE seat post clamp, Art. Nr. 226113802
MAX. TIRE WIDTH	2.5"
WHEEL SIZE	27.5"
MAX. CHAINRING SIZE	36 T
ISCG	ISCG 05
REAR HUB SPACING	Boost 12 x 148 mm

MAX SYSTEM WEIGHT (RIDER + BICYCLE + CLOTHING + GEAR + LUGGAGE): 120 KG

		SIZE S	SIZE M	SIZE L	SIZE XL
SEAT TUBE LENGTH	A	425 mm	445 mm	470 mm	495 mm
TOP TUBE LENGTH	B	590 mm	610 mm	630 mm	650 mm
HEAD TUBE LENGTH	C	110 mm	115 mm	125 mm	135 mm
HEAD ANGLE	D	64.5°			
SEAT ANGLE	E	74.5°			
BB DROP	F	-2 mm			
CHAIN STAY LENGTH	G	433 mm			
WHEEL BASE	H	1189 mm	1210 mm	1232 mm	1254 mm
REACH	K	423 mm	442 mm	459 mm	477 mm
STACK	L	603 mm	607 mm	616 mm	625 mm
BB HEIGHT	M	355 mm			
STANDOVER HEIGHT	N	760 mm		764 mm	771 mm
TRAVEL REAR		bolt top position: 180 mm / bolt low position: 190 mm			
TRAVEL FRONT		180 mm			